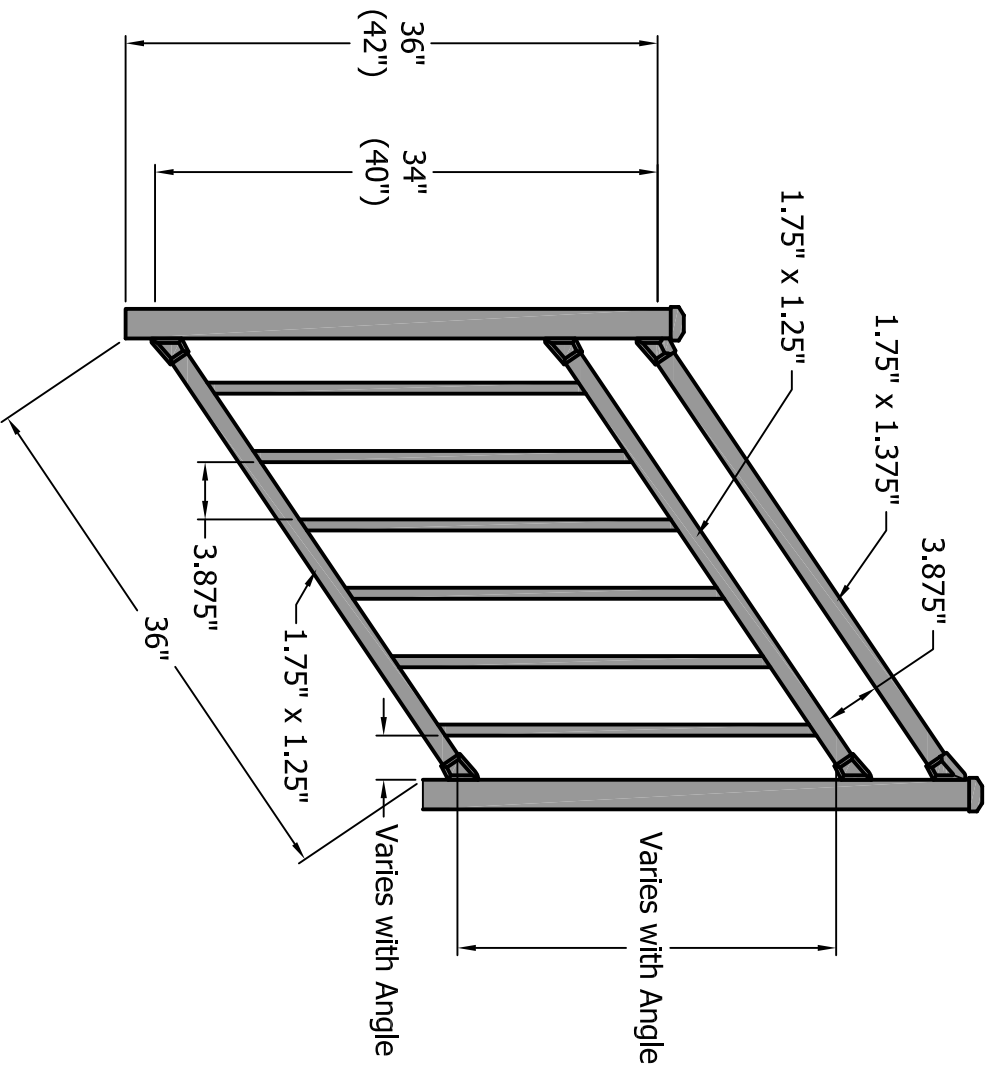


REV.	REVISION	DATE

Stair at 34°



FINISH:	DRAFT:	LOC PDF:	FILE NAME:	REV.
	20091214-1	z:/projects/projects 2009/C30/	C30 3 foot stair mark	
SHEET SIZE = C	DRAWN BY: wjm	DATE DRAWN:	PART NUMBER:	
SCALE = none	12-15-2009	12-15-2009	C30 - 3 foot Stair	
STANDARD TOLERANCE:	LOC ACAD:	STYLE:	36" Tall & 42" Tall	
.000 ±.01 FRACTIONS:	z:/projects/projects 2009/C30/	Riviera Ring Top		
ANG. ±.5° ±.1"				

DSI
Digger
Staircases,
Inc.
3446 US 6 EAST
Bremen, IN 46506

4

3

2

1

A B C D