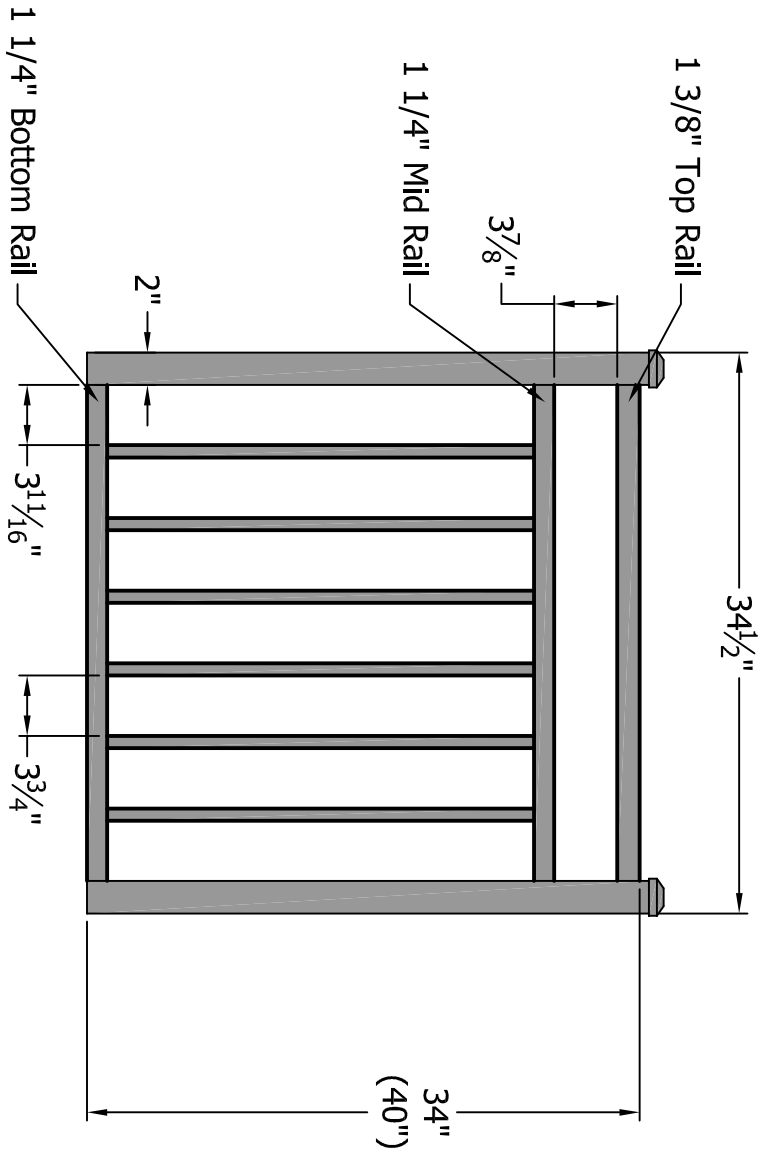


PART NUMBER:

REV.	LOC.	REVISION	DATE
A		RELEASE PENDING APPROVAL	



4

3

2

1

DSI
Digger
Specialties,
Inc.
3446 US 6 EAST
Bremen, IN 46506

FINISH:
STANDARD TOLERANCE:
.000 ±.01 FRACTIONS:
ANG. ±.5° ±.1°

DRAFT:
20100111-1

LOC PDF:
FILE NAME:
C30 Gate mark 36

SHEET SIZE = C
SCALE = none
DATE DRAWN: 01-11-2010
DRAWN BY: wjm
PART NUMBER:
Riviera C30 Gate

LOC ACAD:
Z:\Projects\Projects 2009\C30\Gates/
STYLE:
Riviera No Picket Top

REV:
A