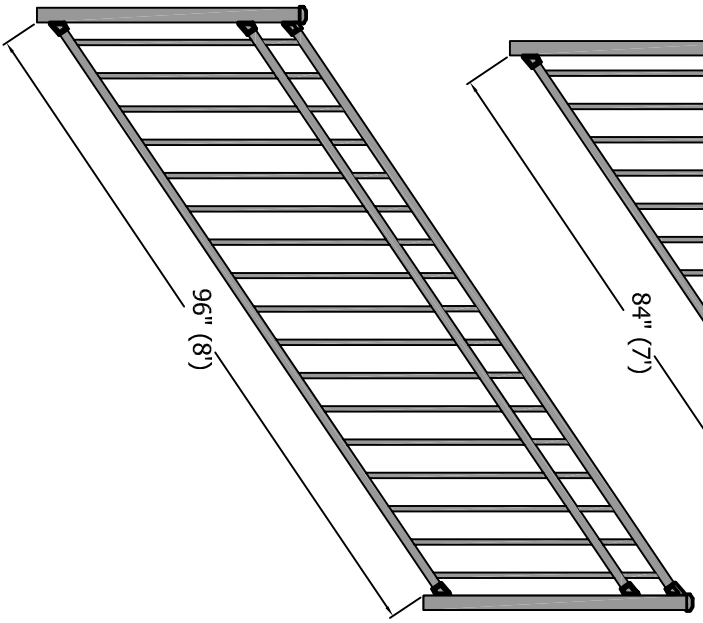
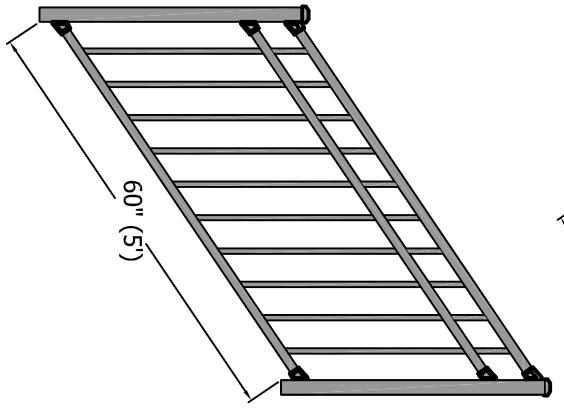
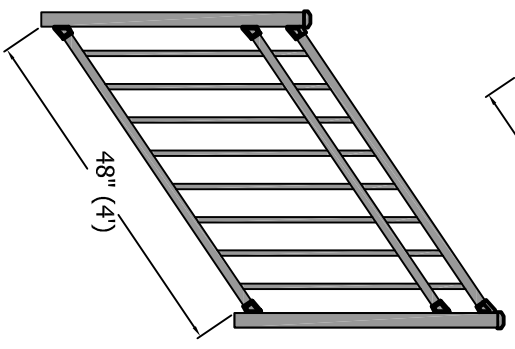
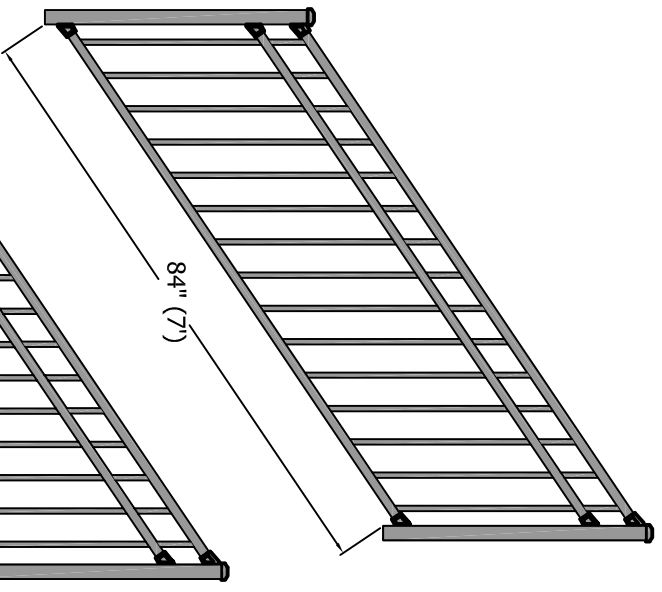
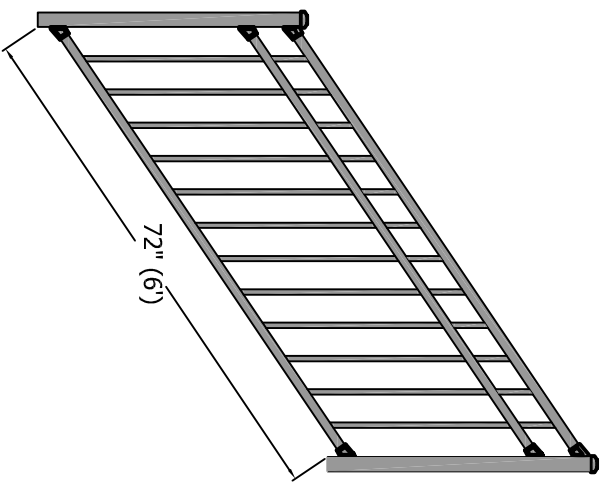
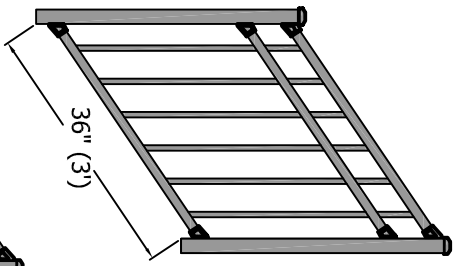


Riviera I Stair Sections

(Style C31)

REV.	LOC.	REVISION	DATE




NOTE:
 Sections are available 36" and 42" tall
 Straight sections and stair section horizontal rails are aligned
 Railing is shown at 36" tall
 Stair sections are shown at 34°
 Distance between pickets is 3.875" (3 7/8")
 End spacing for sections is NOT equal to picket spacing
 Distance between top and mid rail is 3.875" (3 7/8")

4

3

2

1

		3446 US 6 EAST Bremen, IN 46506	
FINISH:		SHEET SIZE = C	DRAWN BY: wjm
STANDARD TOLERANCE:	.000 ±.01	SCALE = none	DATE DRAWN: 12-24-2009
ANG. TOLERANCE:	±.5°	LOC ACAD:	Z:/projects/projects/2009/C30/
FRACTIONS:	±1/8"	LOC PDF:	Z:/projects/projects/2009/C30/
DRAFT:	20091224-1	PART NUMBER:	C31 Stair Section Drawings
		PART NAME:	Riviera Picket Top
		REV.	