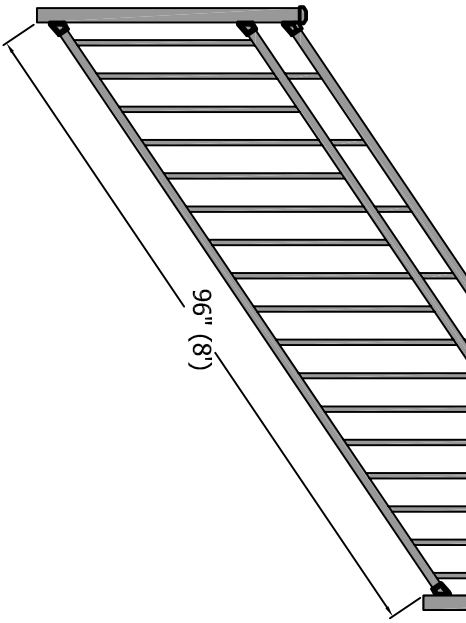
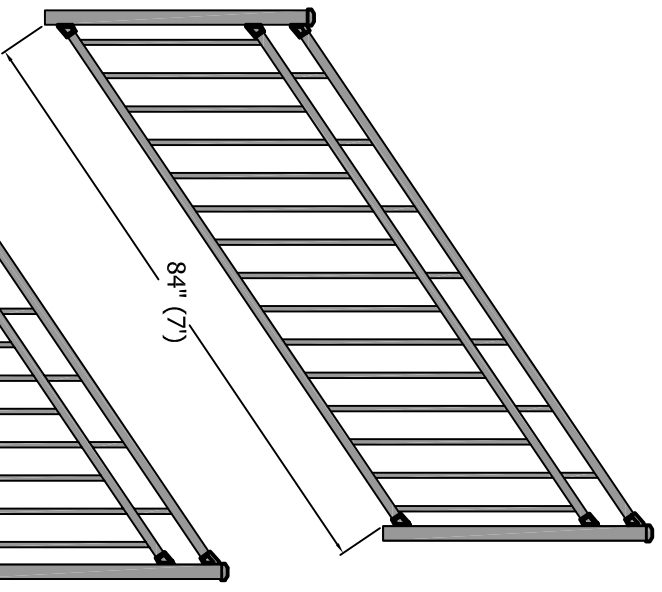
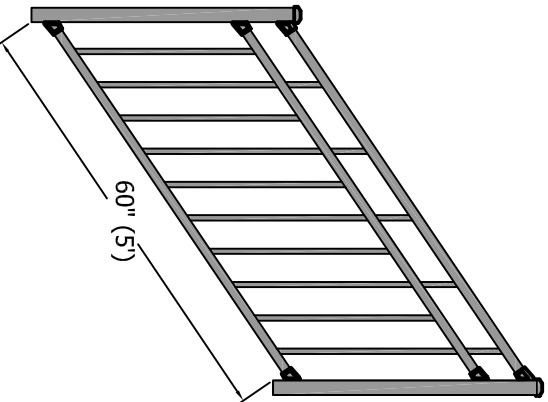
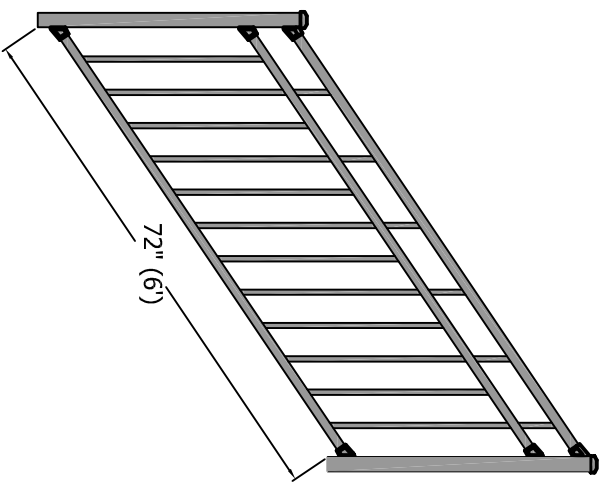
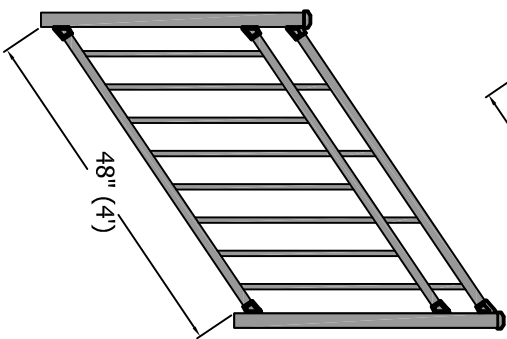
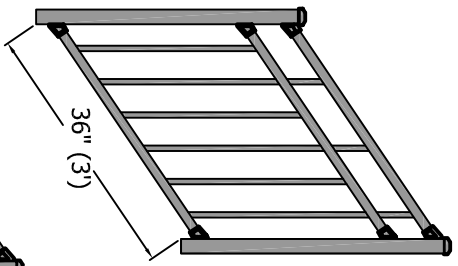


Riviera II Stair Sections

(Style C32)

REV.	LOC.	REVISION	DATE




NOTE:
 Sections are available 36" and 42" tall
 Straight sections and stair section horizontal rails are aligned
 Railing is shown at 36" tall
 Stair sections are shown at 34°
 Distance between pickets is 3.875" (3 7/8")
 End spacing for sections is NOT equal to picket spacing
 Distance between top and mid rail is 3.875" (3 7/8")

4

3

2

1

		3446 US 6 EAST BREMEN, IN 46506	
FINISH:		SHEET SIZE = C	
STANDARD TOLERANCES:		DRAWN BY: wjm	
.00 ±.01 FRACTIONS:		DATE DRAWN: 12-01-2009	
ANG. ±.5° ±1/8"		LOC ACAD: z:/projects/projects 2009/CS0/	
DRAFT: 20091202-2		LOC PDF: z:/projects/projects 2009/CS0/	
PART NUMBER: C32 Stair Section Drawings		PART NAME: Riviera Alternate Picket Top	
REV.		REV.	

A

B

C

D